

### Specifications

Insulation Resistance:	100MΩ min. at 500V DC
Contact Resistance:	50mΩ max. at 10mA / 20mV
Voltage Rating:	500Vrms AC
Current Rating:	1A
Operating Temp. Range:	-40°C to +85°C
Characteristic Impedance:	50Ω
V.S.W.R.:	1.5 average value (2.5GHz)
Mating Cycles:	200 times

### Materials and Finish

Inner contact:	Copper Alloy , Sn
Outer contact:	Copper Alloy , Sn
Fixed metal:	Copper Alloy , Sn
Insulator A:	Black heat resisting plastic
Insulator B:	White heat resisting plastic

### Features

- The cable socket system consists of a housing and an insulator, with inner and outer contacts
- Tools are available on request

### Part Number (Details)

**HF201S - 01 \*\***

Series No.

Design No.

MO = Housing  
IN = Insulator

### Part Number Contact (Details)

**HF201S - CT386\* - T \***

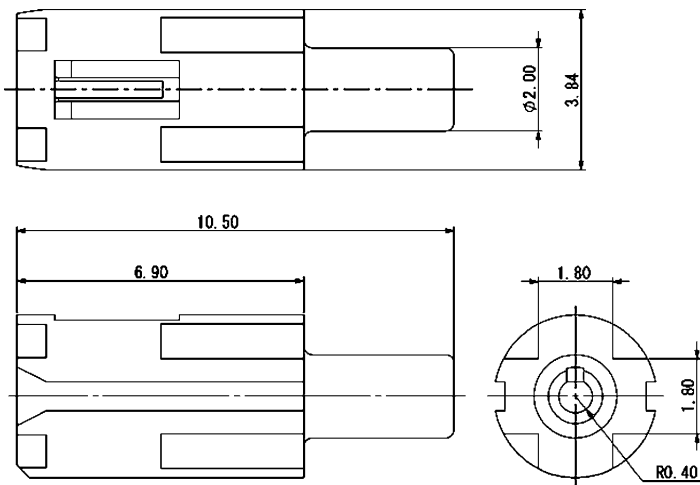
Series No.

CT3868 = Inner Contact  
CT3869 = Outer Contact

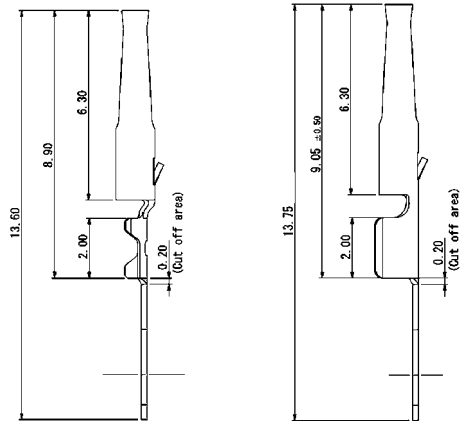
1 = Cable = 1.0mm diameter  
2 = Cable = 1.5mm diameter



### Outline Dimensions HF201S-01MO



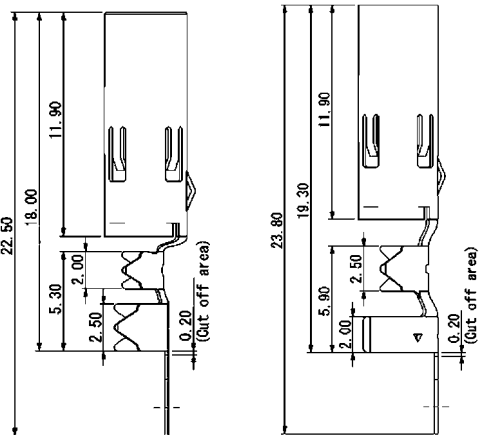
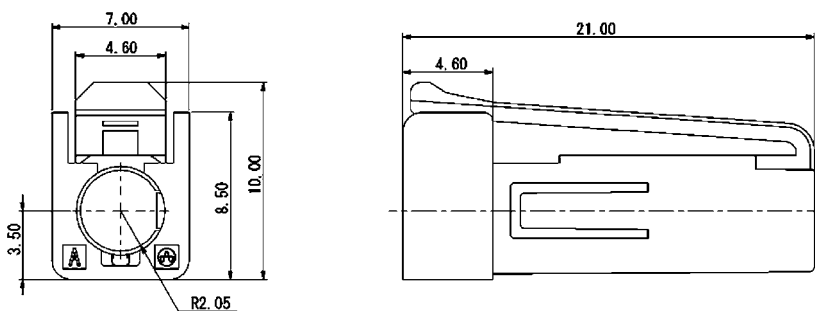
### Contact Details



HF201S-CT3868-T1

HF201S-CT3868-T2

### Outline Dimensions HF201S-01IN



HF201S-CT3869-T1

HF201S-CT3869-T2

## Series HF201 Miniature Connectors for Coaxial Cables

### Specifications

Insulation Resistance:	100MΩ min. at 500V DC
Contact Resistance:	50mΩ max. at 10mA / 20mV
Voltage Rating:	500Vrms AC
Current Rating:	1A
Operating Temp. Range:	-40°C to +85°C
Characteristic Impedance:	50Ω
V.S.W.R.:	1.5 average value (2.5GHz)
Mating Cycles:	200 times

### Materials and Finish

Inner contact:	Copper Alloy , Sn
Outer contact:	Copper Alloy , Sn
Fixed metal:	Copper Alloy , Sn
Insulator A:	Black heat resisting plastic
Insulator B:	White heat resisting plastic



### Part Number (Details)

HF201P - 000 \*

Series No.

Design No.

Number of Plugs

1 = Single Plug

2 = Double Plug

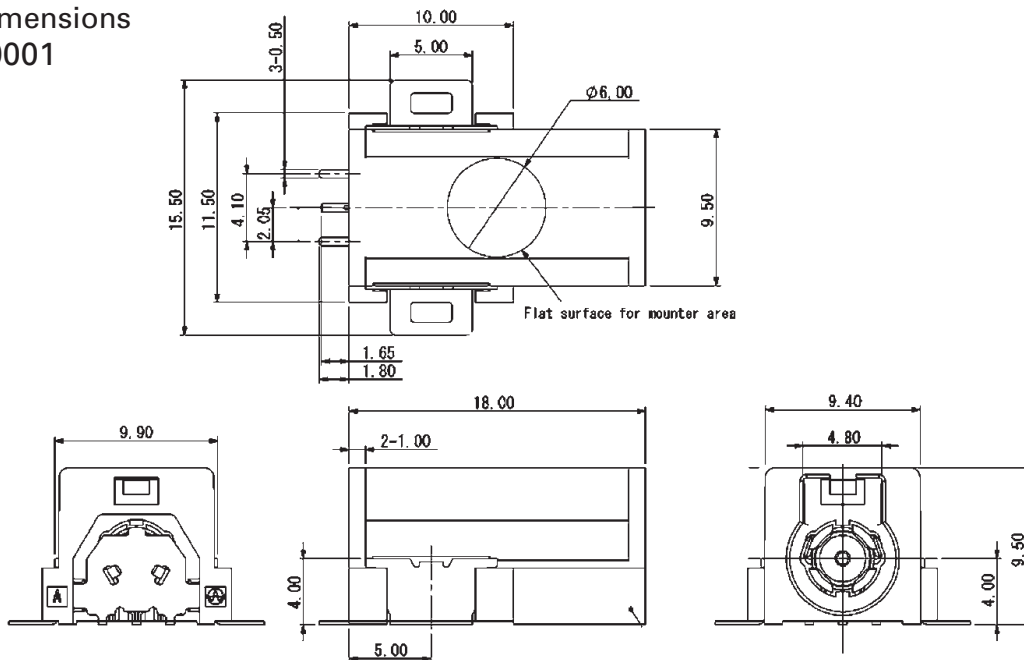
### Features

- Excellent high-frequency performance
- Reducing reflection and transmission lost
- Downsized outline
- Lock mechanism enduring vibration and strain
- SMT mounting (PCB mounting type)
- Crimp method enabling easy assembly (crimp tool available on request)
- Tray packaging

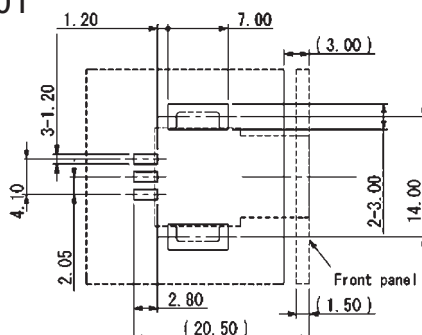
### Applications

- In-car communication
- Car sensors
- Automotive audio systems
- Antenna systems

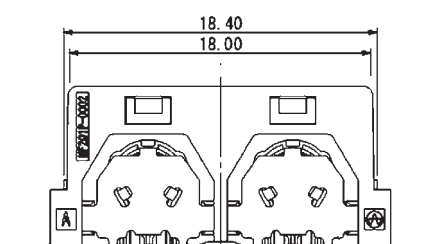
### Outline Dimensions HF201P -0001



### PCB Layout HF201P -0001



### Outline Dimensions HF201P -0002



Non-ZIF Connectors for High Speed Cable